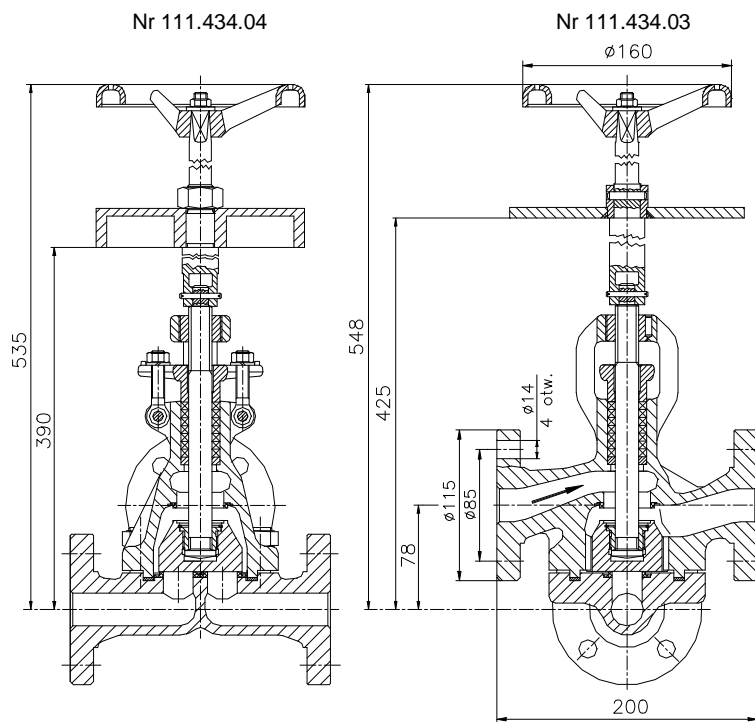


DISTRIBUTING VALVE PN40 DN25 flanged with handwheel

The valve is designed for steam, to control the trim tightness in autoclaves:

type **ZTP1**



Standard materials

Part name	Standard material
Body	GP240GH
The sealing surfaces	stainless steel min 18%Cr
Packing	reinforced graphite

Operating data

Maximum permissible operating temperature TS °C								
20	100	150	200	250	300	350	400	425
Maximum permissible operating pressure PS bar								
40	35	32	28,5	26	23,4	22	21,2	20,3

Additional information

Acceptance tests : EN 12266-1, leak tightness – class A

We reserve the right to change contents and form of this sheet without notice

rev. 01/2020