

CONTROL VALVES type ZRS1

High pressure reducing & cooling valves ZRS1 are designed for operation in start-up and discharge stations of power boilers with direct injection of cooling water.

The main features of the valves :

- using perforated disc with guarantee of tight closing of the valve class F acc. to EN 12266-1,
- suitability for electro-mechanical actuator installing,
- possibility to manufacture version with pressure balanced disc.

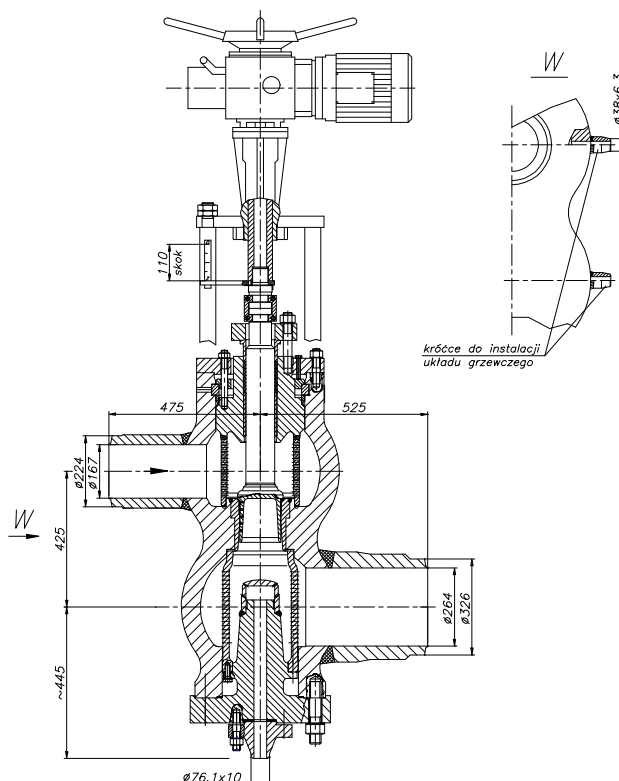
Operating data

Maximum allowable pressure of steam	PS=162 bar
Maximum allowable temperature of steam	TS=545 °C
Maximum allowable pressure of injection water	PS=180 bar
Maximum allowable temperature of injection water	TS=220 °C
Flow coefficient K_{vs max}	240 m³/h

Dimensions

Materials

Body	11CrMo9-10
Disc, stem	X35CrMo17
Packing	reinforced graphite



Additional information

Product meets requirements of Directive PED: 2014/68/EU.

Acceptance tests: EN 12266-1.

Special versions on client's request are available.

We reserve the right to change contents and form of this sheet without notice

rev. 01/2020